



SM76315 Transformer

FEATURES

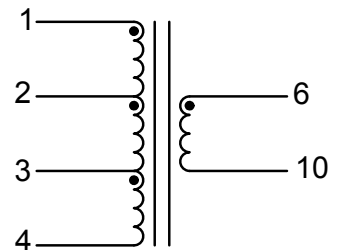
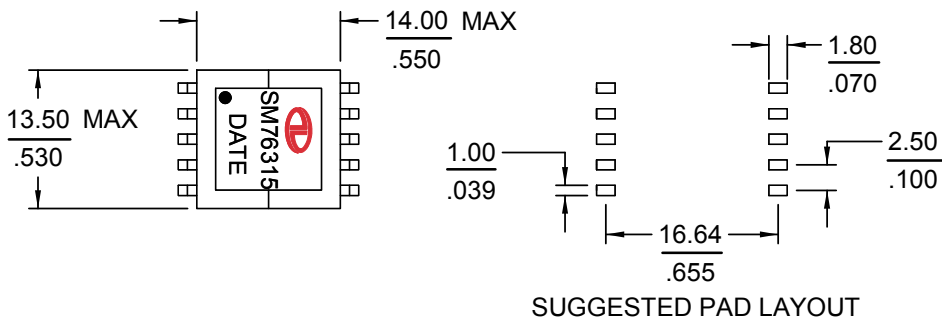
- Designed for use with Silicon Laboratories ProSlic® Devices Si3210M, Si3215M and Si3216M
- Operating Temperature Range -40°C to +125°C
- Isolation Voltage rating between primary and secondary: 500 VDC
- Peak current per primary winding (1-2) (2-3) (3-4): 2 amps



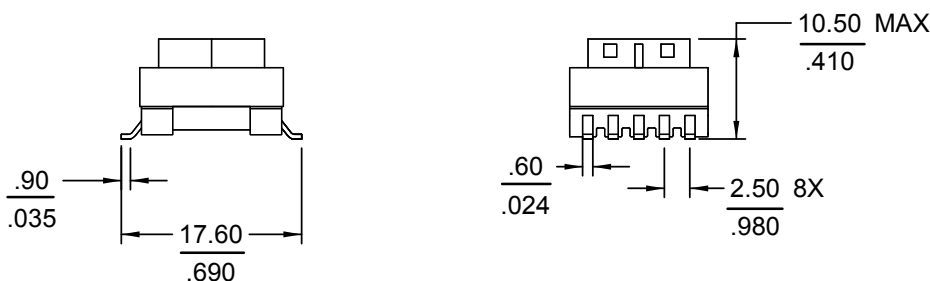
ELECTRICAL SPECIFICATIONS AT 25°C

OCL (1-4)	107 μ H \pm 10% @100kHz 0.1V
DCR (1-2)	0.080 Ω max.
DCR (2-3)	0.080 Ω max.
DCR (3-4)	0.080 Ω max.
DCR (6-10)	1.00 Ω max.
TURNS RATIO	40:8:8:8 \pm 1% (6-10):(1-2):(2-3):(3-4)
POLARITY	6,1 SAME PHASE

MECHANICAL DIMENSIONS



Schematic



Notes:

1. All dimensions are mm/inches
2. Unless otherwise specified tolerance \pm 0.25/0.010
3. Coplanarity: 0.102/0.004
4. For non-RoHS parts replace SM prefix with 42- (e.g. SM76315 becomes 42-76315)
5. Terminal finish is compliant to RoHS requirements. Solder in accordance with J-STD-020D